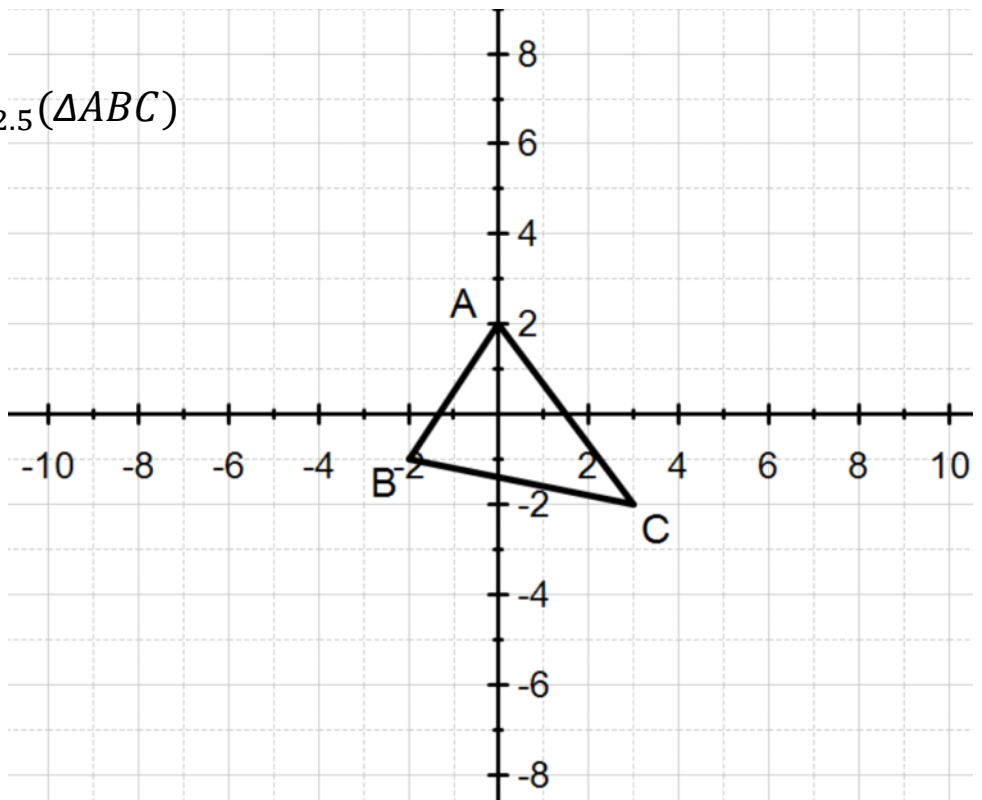


Unit 7 Test Review

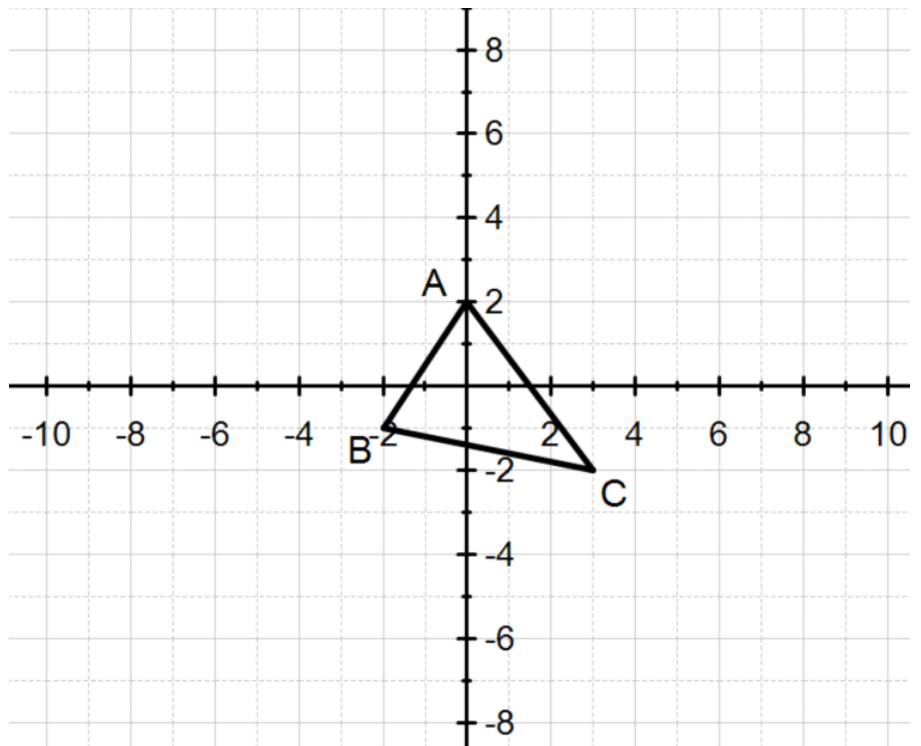
Monday, September 23, 2019 7:46 AM

What are the vertices of $D_{2.5}(\Delta ABC)$



12 Total Questions

What is the image and the vertices of ΔABC after you apply the composition $R_{(y=1)} \circ D_{1.5}(\Delta ABC)$



12 Total Questions

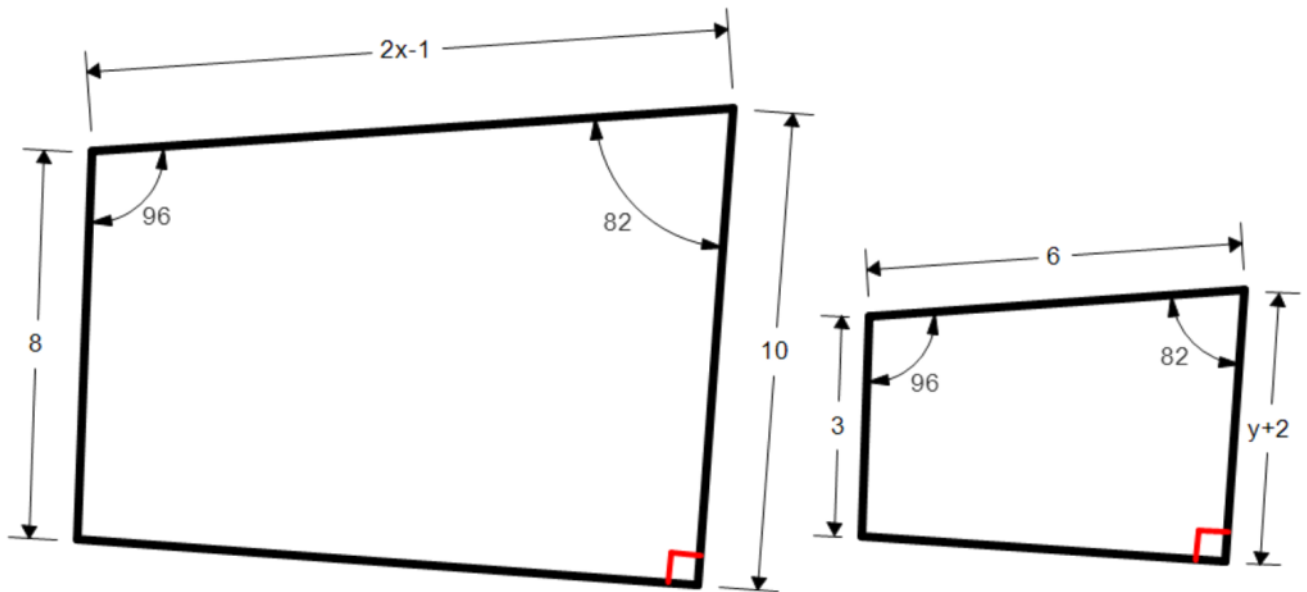
The endpoints of \overline{JT} are J(9, 11) and T(3, 7). What are the endpoints of the image of $\overline{J'T'}$ after a dilation with a scale factor of $\frac{3}{4}$ from point J.

12 Total Questions

Your parents have a 4" by 6" photo that you want to have enlarged to fit a frame that is 12" by 18". Would the photo enlarge perfectly to fit the frame?

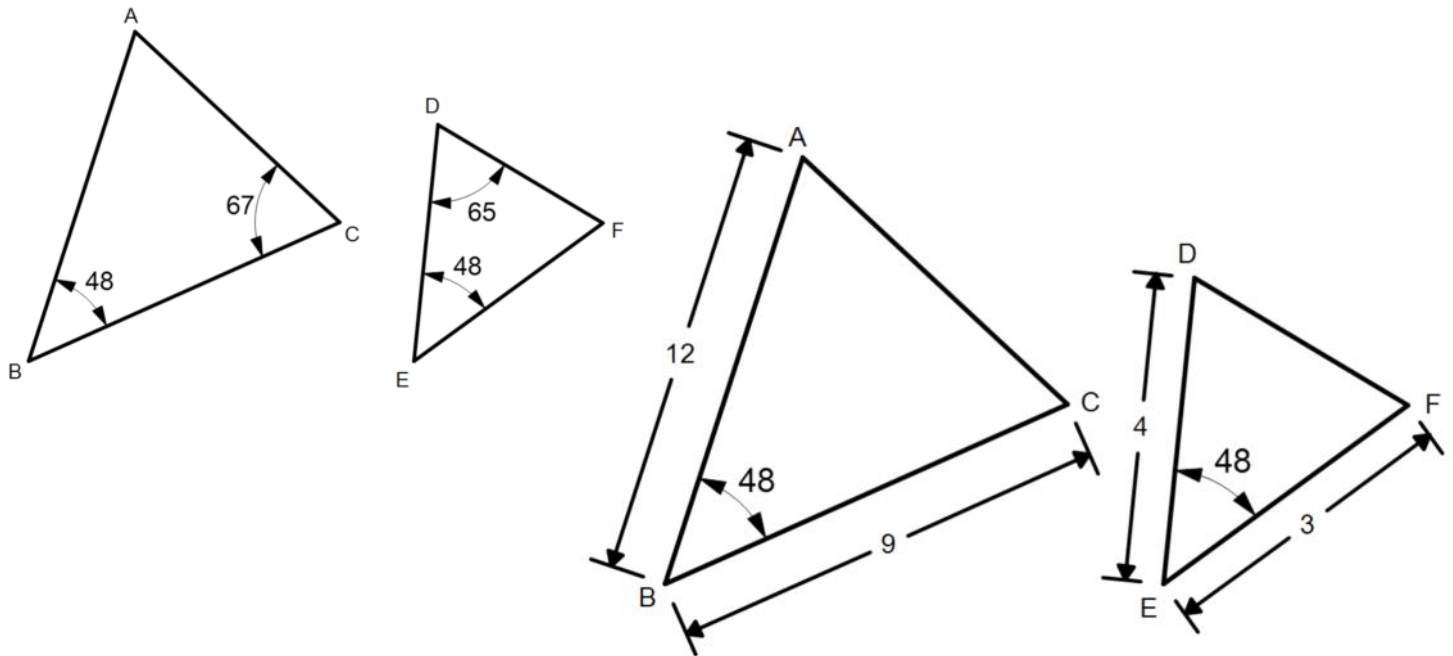
12 Total Questions

Find the value of r and t that make the polygons similar.



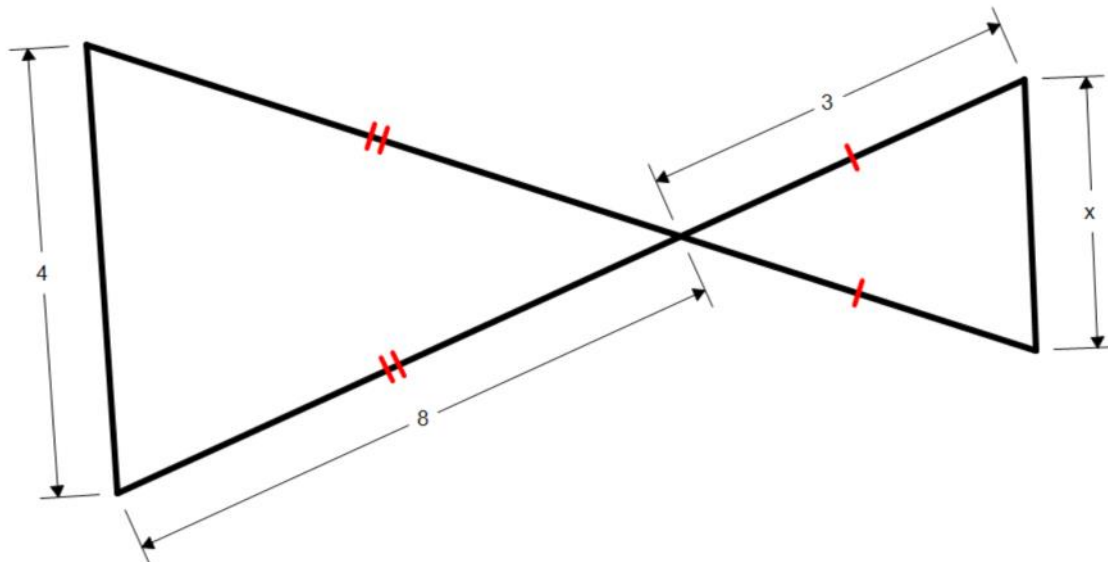
12 Total Questions

Are the triangles similar? If so write whether it is SSS, SAS or AA?



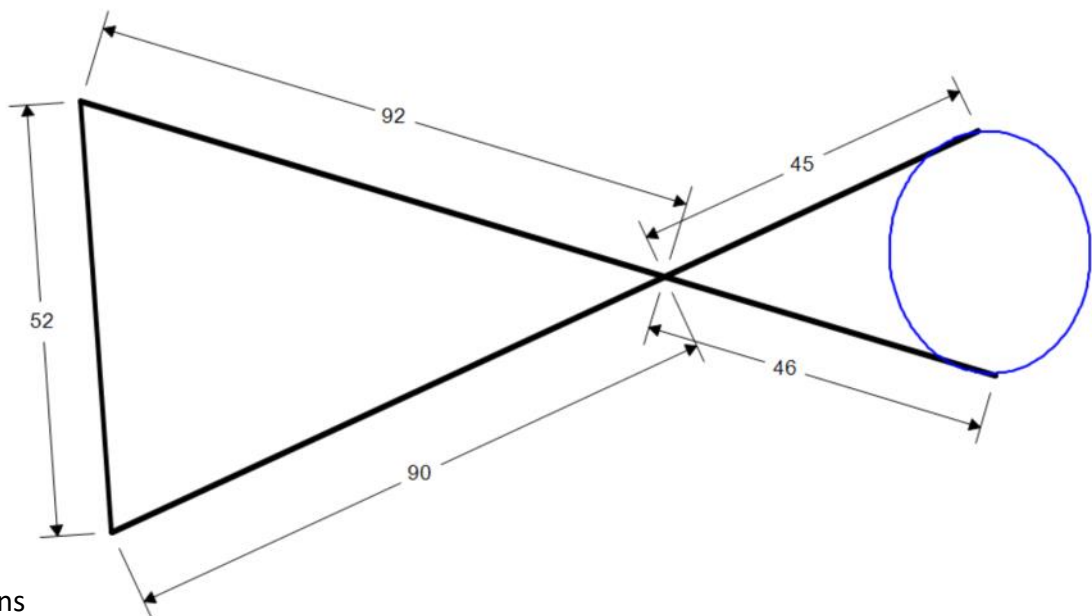
12 Total Questions

Find the value of x .



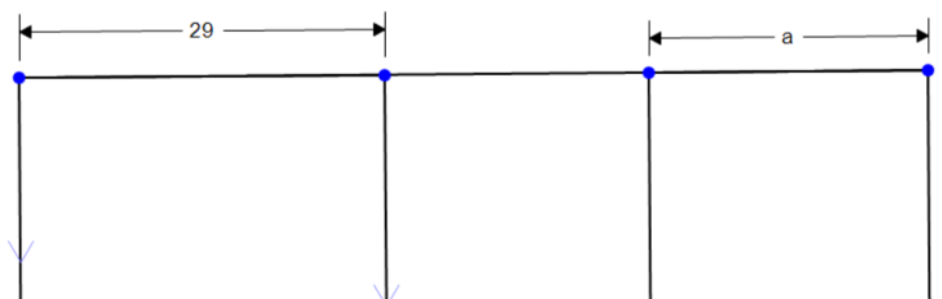
12 Total Questions

An outdoor adventure camp owns the lake shown in the diagram. They are having a zipline installed across the lake. A survey crew took the measurements shown. How long is the lake?

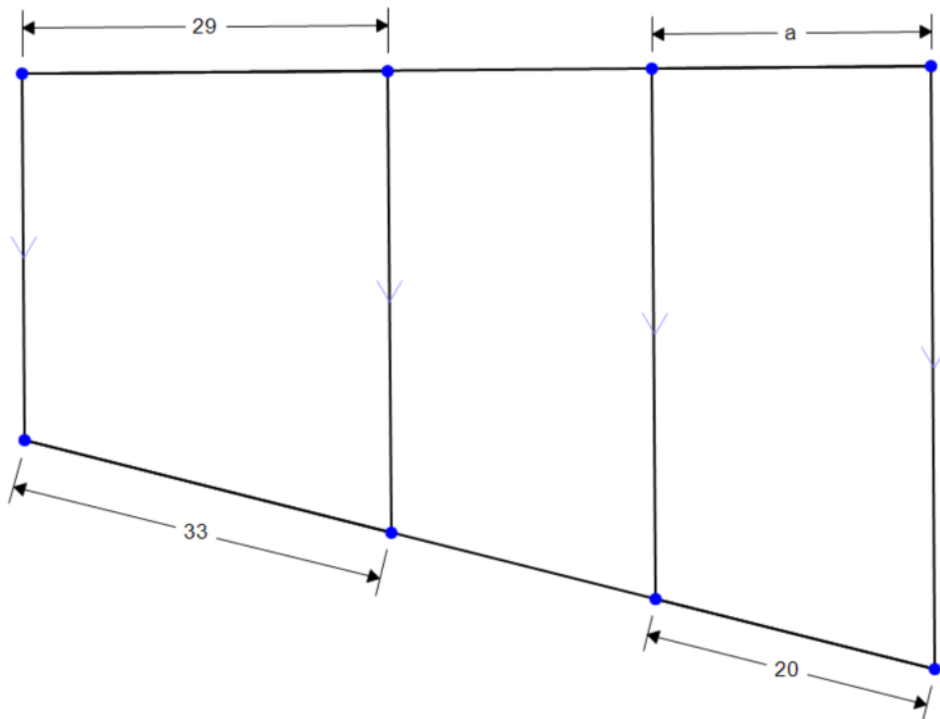


12 Total Questions

Find the value of a .



Find the value of a.

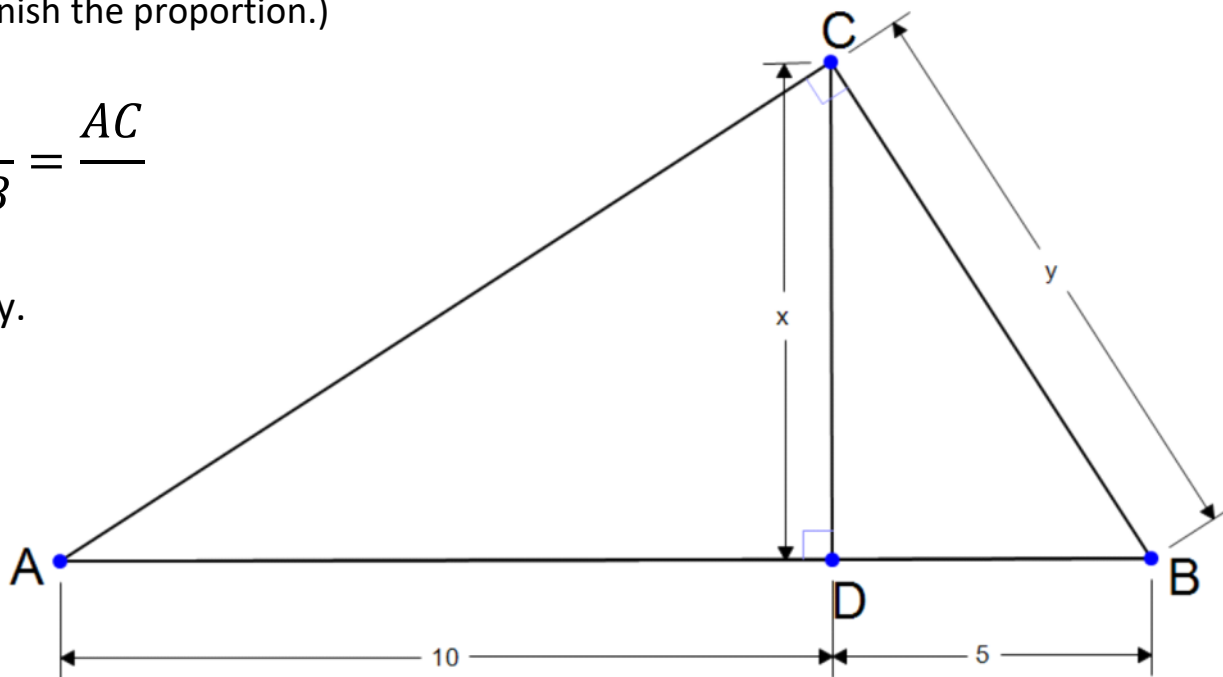


12 Total Questions

According to the diagram shown, what is the correct proportion for the sides of the triangles. (Finish the proportion.)

$$\frac{AD}{DC} = \frac{DB}{AC} = \frac{AC}{DB}$$

Find x and y.



12 Total Questions
